

## Introducing TE LED Holder for Citizen CLL

The TE Solderless LED Socket, Type CL is a small, low profile, flexible LED holder that provides a quick and easy solderless connection to the CITIZEN ELECTRONICS CO. CLL array family. This low cost, straight forward design provides reliable power connection, mechanical attachment and proper thermal hold down force necessary for the LED array. The Solderless LED Socket, Type CL is available as a two piece corner configuration and as a one piece assembled unit. It is configured specifically for the CL array to ease handling and reduce assembly time. TE's Type CL socket allows the direct attachment of LEDs to a heat sink using a standard screw, making designs more reliable, easier to user, and faster to market.

### KEY FEATURES

- Available in two piece configuration or one piece assembled unit configured to the specific CLL and L array to ease handling and reduce assembly time
- Optional metal thermal spring enhances pressure on heat sink for a variety of TIMs without damage to ceramic substrates
- Housing design minimizes obstructed light output from LED
- White lighting grade materials with high reflectivity properties
- Guide posts for easy location and alignment on heatsink
- Access to COB temperature test point
- Access to view the LED polarity indicators printed on the LED
- Rounded corners to minimize shadowing
- Optical keep out zone and landing area for secondary optics

### APPLICATIONS

- Downlights
- Spotlights
- High Bay lighting
- Overhead fixtures
- Area lighting

### MECHANICAL

- Operating temperature range to 105°C without thermal pressure degradation
- Utilize a screw size of #4 or M3 for attachment
- Poke-in style electrical contacts supporting 18-22AWG solid, 18-20AWG fused, and 18AWG stranded 300V rated wire.

### ELECTRICAL

- Current rating: 3.0A
- Voltage rating: 250 VDC
- UL and CSA recognized component (cUR) for use in UL8750, UL1598 applications
- IEC 60838-1 & IEC 61984 compliant
- Japan Electrical Appliance and Material Safety Law compliant (*Pending*)

### MATERIALS

- UV resistant materials and high quality metal alloys and plating for long term stability and reliability during 50,000 hours of normal usage
- UL 94V-0 flammability rating

### APPLICATIONS AND SPECIFICATIONS

- Application Specification: **114-32043**
- Product Specification: **108-133005**
- Product drawing: **2154857 (2 piece)**  
**2154874 (1 piece)**

### PRODUCT OFFERING

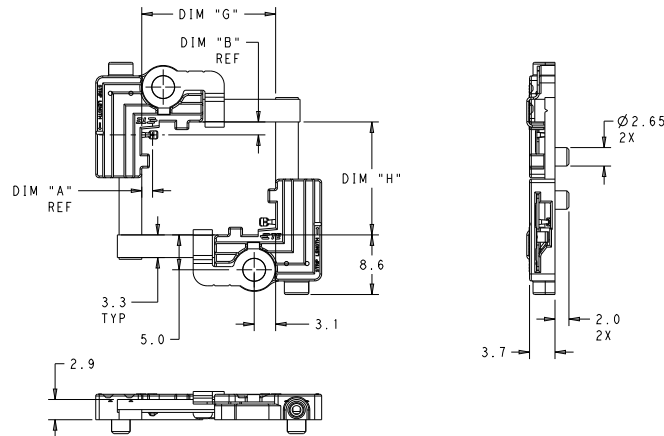
1 piece version for:	CITIZEN CLL020	<b>6-2154874-1</b>
	CITIZEN CLL030	<b>6-2154874-2</b>
	CITIZEN CLL040	<b>6-2154874-3</b>
	CITIZEN CLL050	<b>6-2154874-4</b>
2 piece version for:	CITIZEN CLL020	<b>2-2154857-1</b>
	CITIZEN CLL030	<b>2-2154857-1</b>
	CITIZEN CLL040	<b>2-2154857-2</b>
	CITIZEN CLL050	<b>2-2154857-2</b>
	CITIZEN L330	<b>2-2154857-3</b>
	CITIZEN L340	<b>2-2154857-3</b>

**CITIZEN**  
Micro HumanTech

**TE**  
connectivity

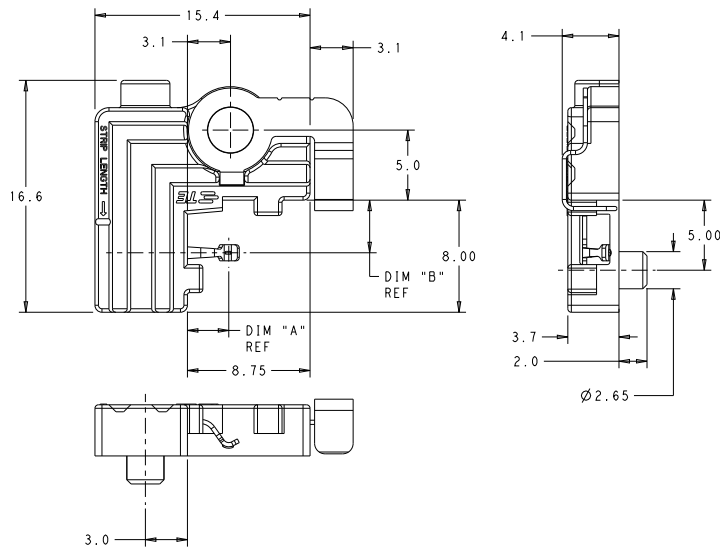
PRODUCT DIMENSIONS

One Piece Version



For LED	Thermal Spring	Dim. H	Dim. G	Dim. B	Dim. A	Contact Plating	Part Number
CITIZEN CLL020	Yes	13.80	13.80	1.85	1.55	Gold over Nickel	6-2154874-1
CITIZEN CLL030	Yes	19.30	19.30	1.85	1.55	Gold over Nickel	6-2154874-2
CITIZEN CLL040	Yes	28.30	28.30	2.26	2.00	Gold over Nickel	6-2154874-3
CITIZEN CLL050	Yes	38.30	38.30	2.26	2.00	Gold over Nickel	6-2154874-4

Two Piece Version



For LED	LED Dimension	Dim. C	Dim. D	Dim. E	Dim. F	Part Number
CITIZEN CLL020	13.5 x 13.5	3.80	11.90	1.90	9.90	2-2154857-1
CITIZEN CLL030	19.0 x 19.0	6.55	14.65	4.65	12.65	2-2154857-1
CITIZEN CLL040	28.0 x 28.0	11.05	19.15	9.15	17.15	2-2154857-2
CITIZEN CLL050	38.0 x 38.0	16.05	24.15	14.15	22.15	2-2154857-2
CITIZEN L330	28.0 x 19.0	11.05	14.65	4.65	17.15	2-2154857-3
CITIZEN L340	28.5 x 28.5	11.30	19.40	9.40	17.40	2-2154857-3

Dimensions are shown for reference purposes only. Specifications subject to change. Customer drawing should be used for all design activity.



# Mouser Electronics

Authorized Distributor

Click to View Pricing, Inventory, Delivery & Lifecycle Information:

[TE Connectivity:](#)

[2-2154857-2](#) [2-2154857-1](#) [6-2154874-4](#) [6-2154874-3](#) [6-2154874-1](#) [6-2154874-2](#) [2-2154857-3](#)