

DETAILS

Ordering Number	CN13338_LENA-M-DL
Family	Lena
Type	RefPack
Color	metal
Diameter	111 mm
Height	88,9 mm
Style	round
Optic Material	PC
Holder Material	PC
Fastening	
Status	ready
ROHS Compliant	Yes
Date Updated	23/04/2014



OPTICAL PROPERTIES

LED	Viewing Angle	Light Beam	Efficiency	cd/lm
CXA25	21 degrees		77 %	3.400

D

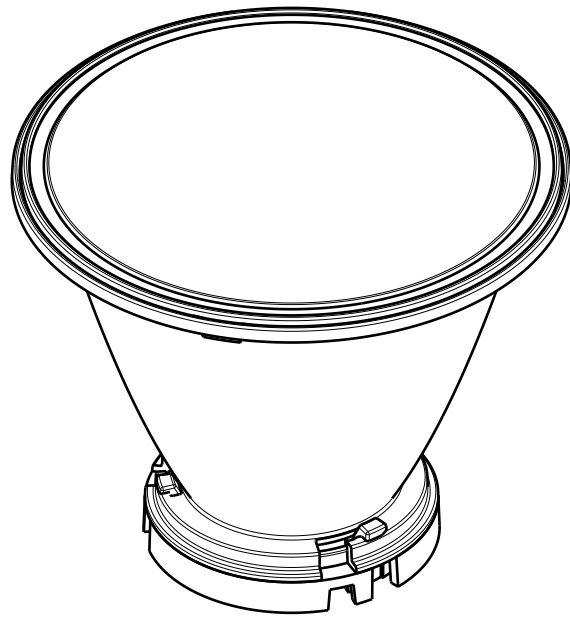
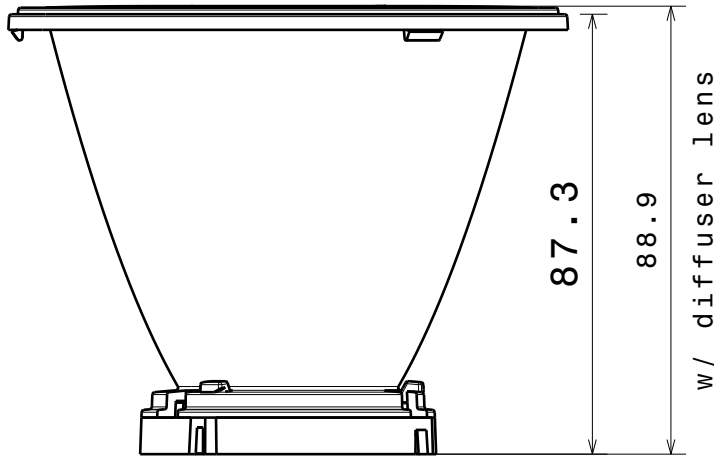
C

B

A

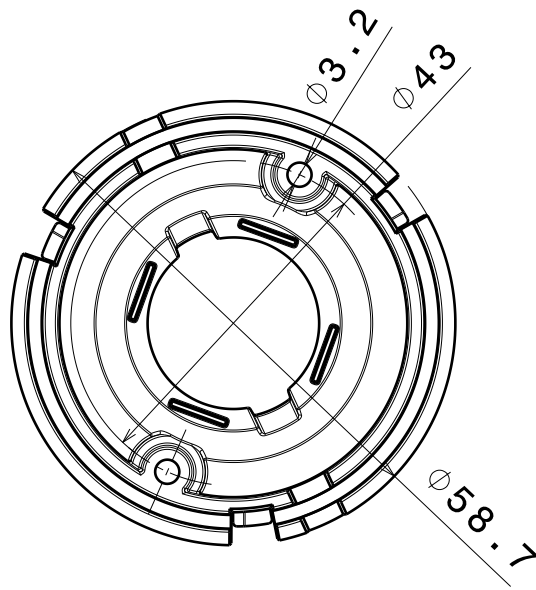
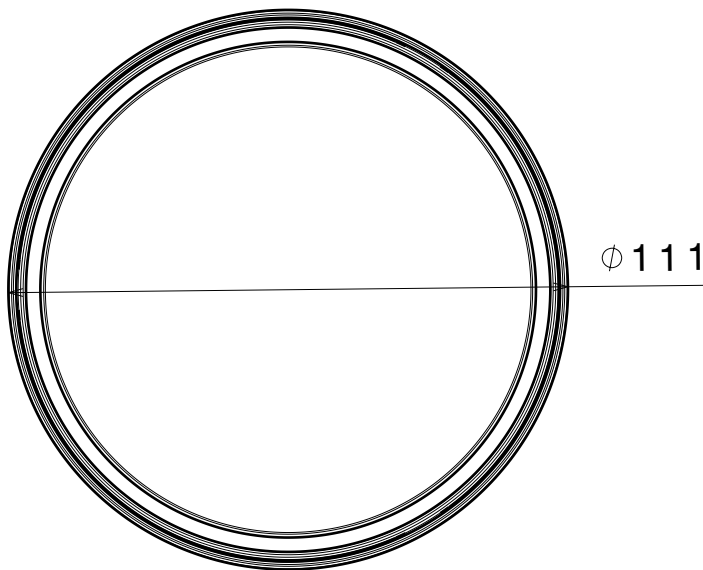
4

4



3

3



2

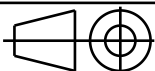
2

Tolerances if not otherwise shown
 According to DIN ISO 2768-1
 Linear measures:
 Up to 30mm class F, otherwise class M.
 According to DIN ISO 2768-2
 Form and position: class K

LEDiL

Ledil Oy
 Salorankatu 10
 FIN 24240 SALO
 Finland

THIRD ANGLE PROJECTION:



DRAWING TITLE

LENA-CXA25

This drawing is the property
 of LEDiL Oy. It may not be
 reproduced, copied or
 communicated without a written
 agreement with LEDiL Oy.

SIZE PART NUMBER

A4

SCALE 2:3 WEIGHT

- g

SHEET 1/1

D

A

1

1

NOTE: The typical divergence will be changed by different color, chip size and chip position tolerance. The typical total divergence is the full angle measured where the luminous intensity is half of the peak value.

GENERAL INFORMATION

- Product series especially designed & optimized for series of LEDs.
- Special care taken to make light distribution as uniform as possible.
- Reflector is made of aluminium coated PC (120 degrees of Celcius / 248 degrees of Fahrenheit) with protective lacquer (short term 100 degrees of Celcius / 212 degrees of Fahrenheit).